

49SMD&49SMG Quartz Crystal Resonators

产品用途 Application

该产品是表贴装型，适用于热风回流焊及红外回流焊。设计出的产品性能不会因高温而变化，广泛用于各类薄型，小型手提电脑及通讯电子产品中。

This type of product is for surface mount, which is suitable for VPS, HA and IR. The designed features of products can't vary with high temperature. They are widely used in small thin micro processors, communication products, electronic products etc.



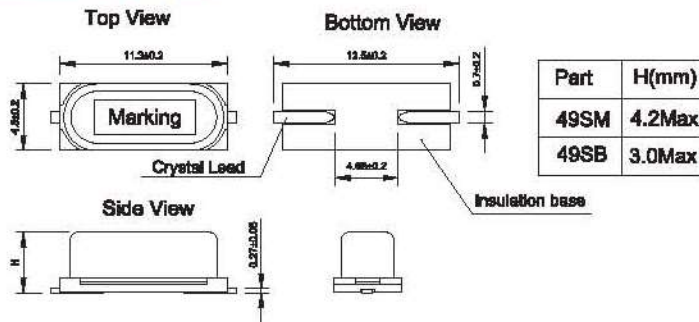
规格 Specification

| 型号Type | 49SMD&49SMG | | |
|---|--------------------|------------------|------------------|
| 频率范围Frequency Range | 3.000~37MHz | 27~100MHz | 80~100MHz |
| 振荡模式Vibration Mode | AT Fundamental | 3rd Overtone | 5th Overtone |
| 谐振电阻Resonance Resistance(Ω) | 300~10Max | 50~30Max | 80~40Max |
| 调整误差Frequency Tolerance at 25℃ | ±5ppm~±50ppm | | |
| 旁电容Shunt Capacitance | 7PF Max | | |
| 温度稳定性Frequency Stability over Temperature Range | ±5ppm (0~70℃) | ±10ppm (-20~70℃) | ±20ppm (-40~85℃) |
| 负载电容Load Capacitance | 6~100PF or Series | | |
| 绝缘电阻Insulation Resistance | >500MΩ/DC/100V±10V | | |
| 驱动功率Drive Level | 0.01mW~1mW | | |
| 老化率Aging | ±3ppm/year | | |

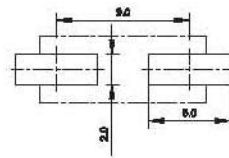
除此之外，我们可以根据客户要求定制，欢迎索取更详尽规格书。
Other special specifications are designed according to customer's requirements, More details available

外型尺寸 Outline and Dimensions(mm)

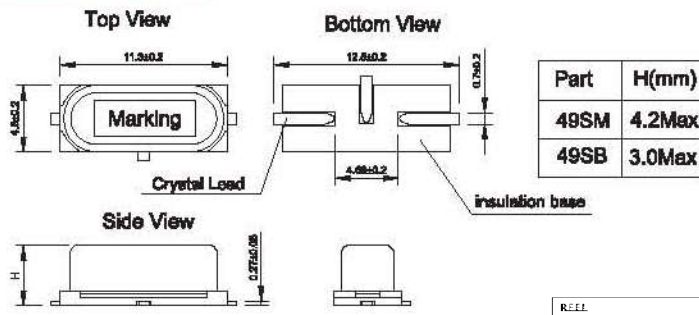
Dimensions of 2Pin (mm)



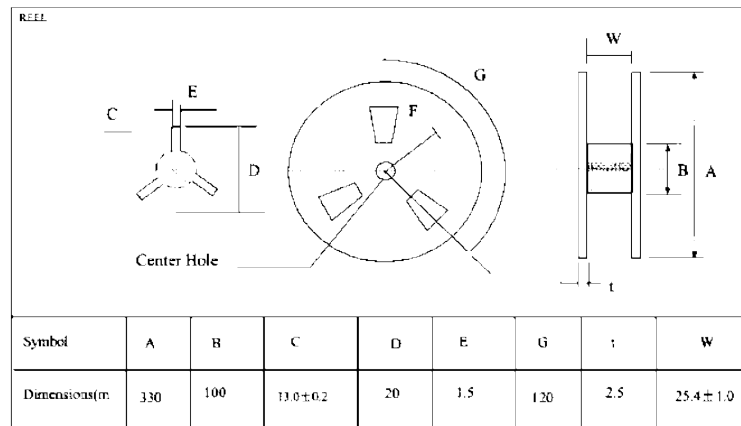
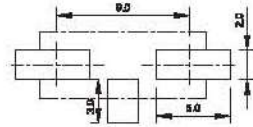
Solder Pad Layout (mm)



Dimensions of 3Pin (mm)



Solder Pad Layout (mm)



HC-49SMD-TR: 2000pcs crystal units to 1 small reel, 1 small reel to 1 box, 10 small boxes to 1 Carton, (20000pcs crystal units to 1 Carton).